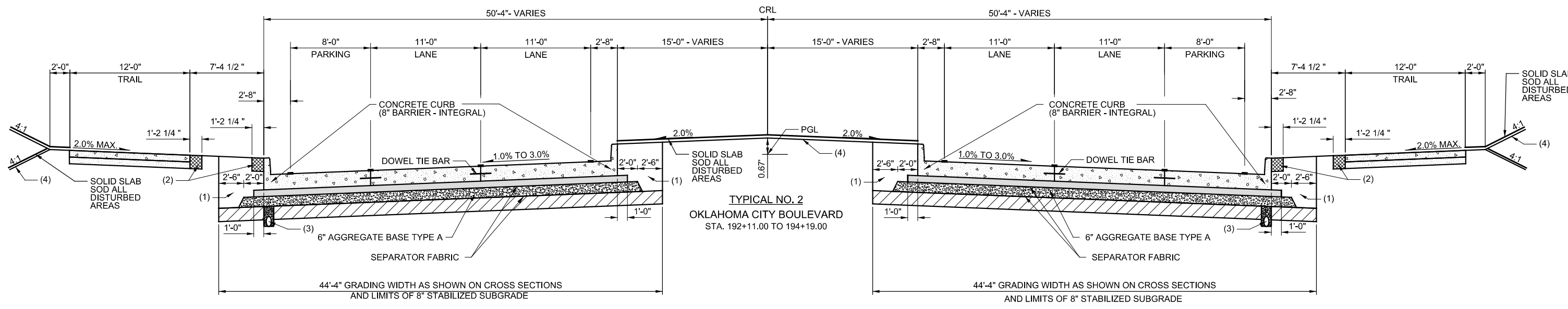


PAVT. STRUCTURE	DRIVING/PARKING LANES	TRAIL
SURFACE COURSE	9" DOWEL JOINTED P.C. CONC. PAV.	6" CLASS A P.C. CONC.
BASE COURSE	4" CEMENT TREATED BASE	4" AGGREGATE BASE TYPE A

- (1) THIS AREA TO BE BACKFILLED AND COMPACTED AS PART OF FINAL FINISHING OPERATIONS. COST TO BE INCLUDED IN OTHER ITEMS OF WORK.
- (2) DECORATIVE BRICK PAVERS
- (3) INSTALLATION OF EDGE DRAIN, SEE ODOT STANDARD DETAIL PED-3-2
- (4) TOPSOIL NOTE:  
THE CONTRACTOR SHALL STRIP ALL OF THE AVAILABLE TOPSOIL, STOCKPILE IT, AND PLACE IT BACK ON THE SECTION IN ACCORDANCE WITH SECTION 205 OF THE STANDARD SPECIFICATION. RESERVED TOPSOIL SHALL BE SPREAD APPROX. 5" THICK FIRST ON THE COMPLETED SLOPES OF THE CUT SECTIONS AND THE REMAINDER ON COMPLETED FILL SLOPES OR OTHER PRIORITY AREAS LOCATED BY THE ENGINEER. ALL ADDITIONAL COSTS ASSOCIATED WITH OPERATION SHALL BE INCLUDED IN THE PAY ITEM FOR TYPE A SALVAGED TOPSOIL, LUMP SUM.

THE GRADING LINE AS SHOWN ON THE TYPICAL AND CROSS SECTIONS IS TO THE TOP OF THE TOPSOIL. EARTHWORK QUANTITIES WERE NOT ADJUSTED FOR SALVAGE AND THE TOPSOIL QUANTITY IS INCLUDED IN THE EARTHWORK SUMMARY.



PAVT. STRUCTURE	DRIVING/PARKING LANES	TRAIL
SURFACE COURSE	9" DOWEL JOINTED P.C. CONC. PAV.	6" CLASS A P.C. CONC.
BASE COURSE	4" CEMENT TREATED BASE	4" AGGREGATE BASE TYPE A

DESIGN	KBA	MMPC
DRAWN	ISFM	RWH
CHECKED	MM	
APPROVED		
SQUAD	MacArthur	

**TYPICAL SECTIONS (1)**

OKLAHOMA CITY BOULEVARD OKLAHOMA CO.

STATE JOB NO. 17428(89) SHEET NO. 2

PRINT DATE: 11/19/2015 T:\1024-06\Drawings\Roadway\1024-06-TYP-01-conc.dgn